

QD SMBAS C

QUADRATO Tap Range Quadrato Small Basin Mixer No Waste Chrome



Features:

- Long life ceramic cartridge for added durability and ease of use
- Metal fixing nut for added durability
- Flexible tails included
- Minimum working pressure of 0.5 bar

Product Certifications:



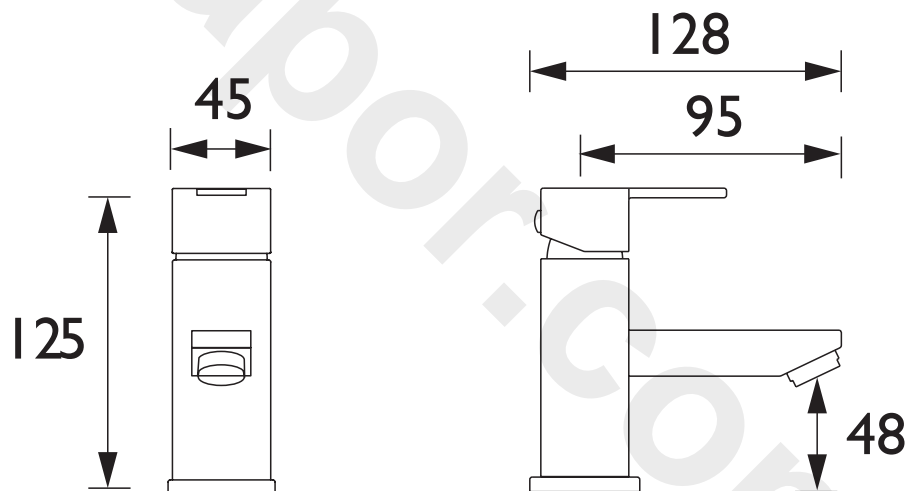
For more products, visit our website:
<http://www.bristan.com>



Specification

Product Type:	Taps
Main Construction Material:	Brass
Mount Type:	Deck
Handle Type:	Lever
Connection Inlet:	1/2" BSP Flexi Tails
Connection Outlet:	Flow Straightener
Number of Tap Holes:	1
Valve/Cartridge Type:	25mm Ceramic Cartridge
Plumbing System Requirements:	Suitable for all plumbing systems
Minimum Dynamic Pressure (bar):	0.5 bar
Maximum Dynamic Pressure (bar):	5 bar
Maximum Hot Water Temperature °C:	65°C
Maximum Static Pressure (bar):	10 bar
Flow Type:	Single
Isolation Included:	No

Dimensions (measurements in mm)



Flow Rates (l/min)

System Pressure (bar)	0.5	1	2	3	5
QD SMBAS C (mixed)	5.8	8.1	11.5	14.1	18.2

TECHNICAL
DATA
SHEET



BRISTAN

D5